



### ANSI B18.2.2 Rod Coupling Nut

Leader-Fastener is a manufacturer and distributor of **ANSI B18.2.2 Coupling Nut**. We have a complete line of service from having invested in production plants, export department and to having a quality control team and center to meet your requirements. We regard quality as the life of the company. We persist in good quality as the first policy and have established a set of quality control and inspection system according to the international standard. We have carried out ISO9001 Quality Guarantee System in every course of production, transportation and selling. We do hope we could be your partner in business by topping quality, knight service and competitive

price in the near future and be your friends as well.

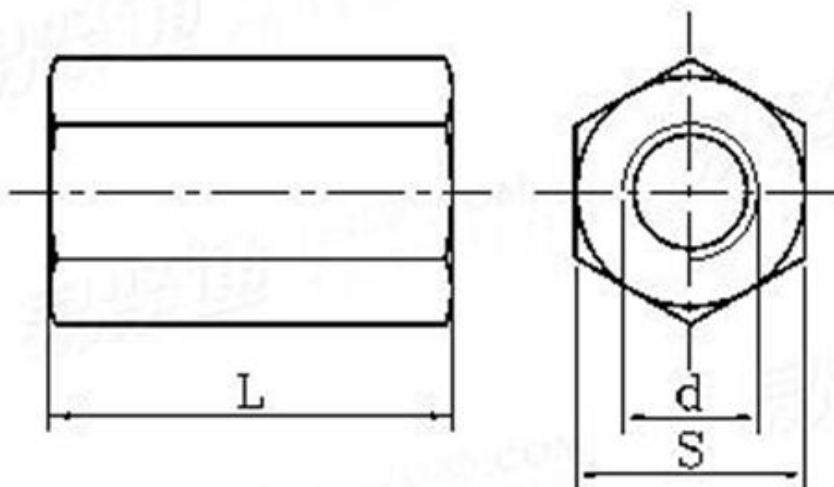
**ANSI B18.2.2 Coupling Nut** also known as Extension Nuts, are threaded fastener for joining two male threaded objects, most commonly threaded rod, but also pipes. The outside of the coupling nut is usually a hex so it can be gripped by a wrench.

### Product Specification of ANSI B18.2.2 Coupling Nut

Material : Carbon steel, Stainless steel, Alloy Steel, Brass.

Finishment: Black, Zinc Plated, Zinc Yellow, HDG, Phosphate, DACROMET, Geomet, Magin, Ruspert, Teflon, etc.

### ANSI/ASME B 18.2.2 - 2010 Hex Coupling Nuts [Table13]



d	S		L		d	S		L	
	max	min	max	min		max	min	max	min
#6	0.312	0.302	0.51	0.47	1-7/8	2.938	2.844	5.67	5.58
#8	0.312	0.302	0.645	0.595	2	3.125	3.025	6.04	5.95
#10	0.312	0.302	0.76	0.711	2-1/4	3.5	3.388	6.8	6.7
1/4	0.438	0.428	1.76	1.69	2-1/2	3.875	3.75	7.55	7.44
5/16	0.5	0.489	1.76	1.69	2-3/4	4.25	4.112	8.31	8.19
3/8	0.562	0.551	1.76	1.69	3	4.625	4.475	9.06	8.94
7/16	0.625	0.607	1.76	1.69	3-1/4	5	4.838	9.81	9.68
1/2	0.688	0.663	1.76	1.69	3-1/2	5.375	5.2	10.57	10.43
9/16	0.813	0.782	2.135	2.067	3-3/4	5.75	5.562	11.32	11.17
5/8	0.813	0.782	2.135	2.067	4	6.125	5.925	12.08	11.92
3/4	1	0.963	2.26	2.19	4-1/4	6.5	6.288	12.83	12.67
7/8	1.25	1.212	2.51	2.44	4-1/2	6.875	6.65	13.58	13.42
1	1.375	1.325	2.76	2.69	4-3/4	7.25	7.012	14.34	14.16
1-1/8	1.5	1.45	3.01	2.94	5	7.625	7.375	15.09	14.91
1-1/4	1.625	1.575	3.01	2.94	5-1/4	8	7.738	15.85	15.65
1-1/2	2	1.95	3.51	3.44	5-1/2	8.372	8.1	16.6	16.4
1-5/8	2.562	2.481	4.91	4.83	5-3/4	8.75	8.462	17.35	17.15
1-3/4	2.75	2.662	5.29	5.21	6	9.125	8.825	18.11	17.89