



DIN 977 Weld Nuts

Leader-Fastener is a manufacturer of **DIN 977 Weld Nuts** with high-quality standard material or customized material. DIN 977 Weld Nuts have five or six equal corners and three corners for perfect contact with the weld surface. DIN 977 Weld Nuts are generally coming in hexagonal with flange and typically mated with round head bolt. DIN 977 Weld Nuts are a great solution where loosening occurs due to vibration. The bottom part of DIN 977 is not flat so it required precision pilot for accurate location. These three projections are used to weld the nut into the material. DIN 977 Weld Nuts are Removable and Reusable. We are providing the

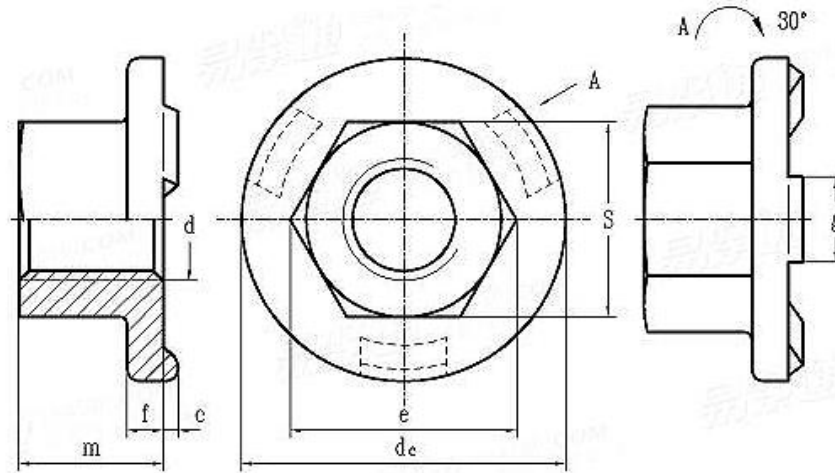
range DIN 977 Weld Nut with a variety of materials, sizes, design, strength, finishes and other configurations. DIN 977 Weld Nut are available with a various type of plating, finishing or coating options such as Tin, Zinc (yellow, white, blue, black), Hot Dip-Galvanized, Chrome, Nickel-Brass, Black Oxide, Electro Tin, Phosphate, Powder Coating and any other as required. We also manufacture Custom DIN 977 Weld Nuts that perfectly matches Customer Design and Customer Specifications.

DIN 977 Weld Nuts is the specification for Hex Flange Weld Nuts. it has thread and Elongated Projections, the specification is M5-16, class 8, plain surface or zinc plated. Equivalent standards: GB /T 13681.2, ISO 21670, DIN EN ISO 21670.

Product Specification of DIN 977 Weld Nuts

Material : Carbon steel, Stainless steel, Alloy Steel, Brass.

Finishment: Black, Zinc Plated, Zinc Yellow, HDG, Phosphate, DACROMET, Geomet, Magin, Ruspert, Teflon, etc.

DIN 977 - 1998 Hexagon Weld Nuts with Flange


Screw Thread d		M5	M6	M8	M10	M12	M14	M16	
P	Coarse Thread Pitch	0.8	1	1.25	1.5	1.75	2	2	
	Fine Thread Pitch	-	-	-	-	1.5	1.5	1.5	
c	Nominal Size	± 0.1	0.8	0.8	1	1.2	1.2	1.2	
d _c	max		15.5	18.5	22.5	26.5	30.5	33.5	36.5
	min		14.5	17.5	21.5	25.5	29.5	32.5	35.5
e	min		8.2	10.6	13.6	16.9	19.4	22.4	25
	max		8.5	10.9	14	17.5	20	23	26
f	Nominal Size	± 0.25	1.7	2	2.5	3	3	4	4
g	Nominal Size	± 0.1	4	5	6	7	8	8	8
m	min		4.7	6.64	9.64	12.57	14.57	16.16	18.66
	max		5	7	10	13	15	17	19.5
s	max		8	10	13	16	18	21	24
	min		7.64	9.64	12.57	15.57	17.57	20.48	23.48
per 1000 units≈kg			-	5.7	12.2	21.8	29.4	45.8	-